

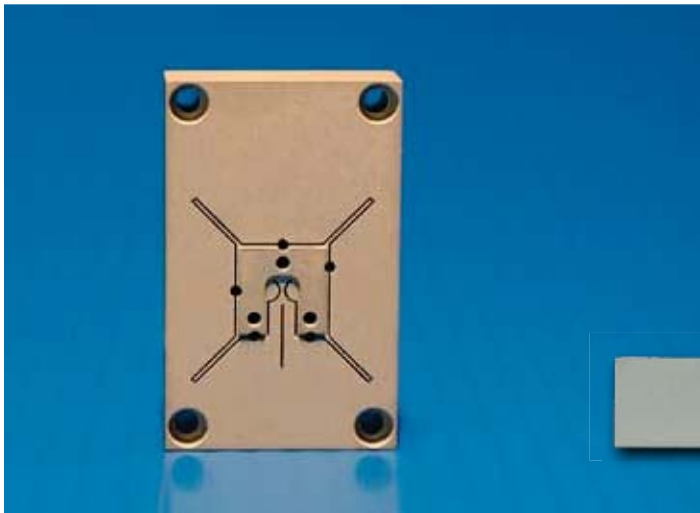
Features

- ▶ Precision rotation: 2 mrad range
- ▶ Accessible and well defined axis of rotation
- ▶ Mount in any orientation
- ▶ High resolution: 4 nanoradians
- ▶ **pico**™ sensor technology
- ▶ Closed loop control

Typical Applications


- ▶ Laser beam scanning
- ▶ Lithography
- ▶ FBG writing

02.583.2511 פד"מ-טק (1991) בע"מ
<Michael.Storch@pazam-tech.co.il>



Nano-Theta (actual size) constructed from aluminum.

**LabVIEW Compatible
USB Interfaces**



Examples, tutorial, and
Nano-Route™ 3D supplied
with Nano-Drive™ USB
interfaces.



Side view

Product Description

The Nano-Theta is a unique piezo-actuated rotational stage having 2 milliradians of total motion. With nanoradian resolution, the Nano-Theta is designed for applications in lithography, optical disk manufacturing, and laser beam tracking or scanning. The innovative design of the Nano-Theta incorporates a readily accessible and

well-defined axis of rotation which allows a mirror to be mounted so that it is co-planar with the axis of rotation. Internal position sensors utilizing proprietary **pico**™ technology provide absolute, repeatable position measurement with nanoradian accuracy under closed loop control.

פד"מ-טק (1991) בע"מ

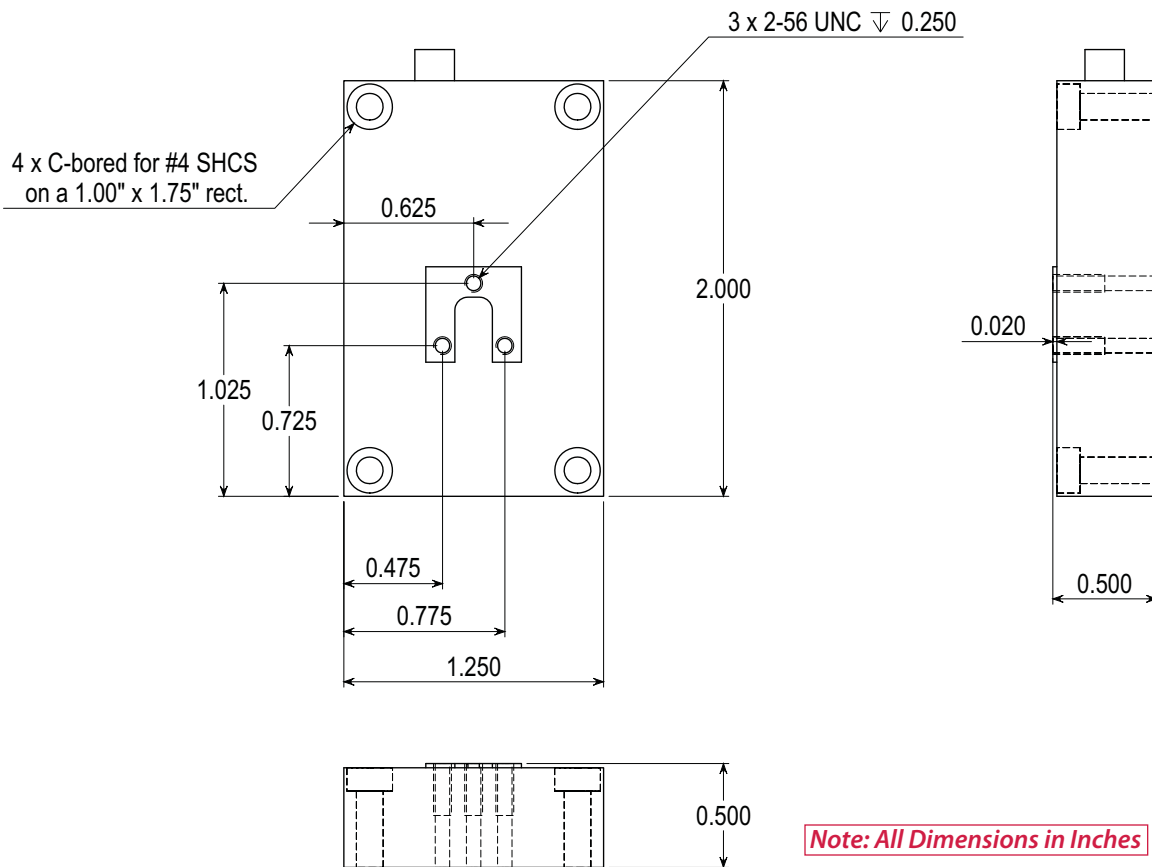
מייקל סטורץ | 02.583.2511

PaZaM-tech@pobox.com

www.PaZaM-tech.co.il

Technical Specifications

Range of motion 2.0 mradians
 Resolution 4 nradians
 Resonant Frequency (unloaded) 2 kHz \pm 20%
 Body Material Al or Invar
 Controller Nano-Drive™



פז"מ-טק (1991) בע"מ

מייקל סטורץ' | 02.583.2511

PaZaM-tech@pobox.com

www.PaZaM-tech.co.il