

Nano-Theta-H

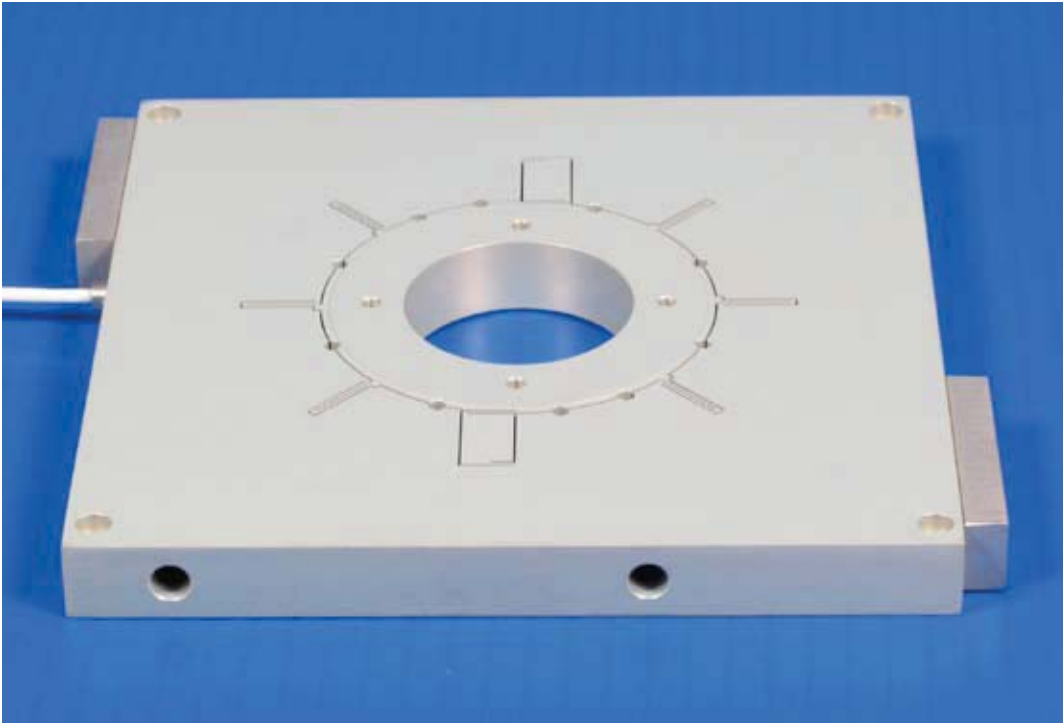
Features

- ▶ Precision rotation: 5 mrad range
- ▶ Large center aperture
- ▶ Mount in any orientation
- ▶ High resolution: 10 nanoradians
- ▶ **pico**™ sensor technology
- ▶ Closed loop control

Typical Applications

- ▶ Precision alignment
- ▶ Lithography
- ▶ FBG writing

פז"מ-טק (1991) בע"מ 02.583.2511
<Michael.Storch@pazam-tech.co.il>



Nano-Theta-H constructed from aluminum.

LabVIEW Compatible USB Interfaces



Examples, tutorial, and
Nano-Route™ 3D supplied
with Nano-Drive™ USB
interfaces.

Product Description

The Nano-Theta-H is a unique, high precision rotational stage which provides 5 milliradians of total motion and a large center aperture for optical access. The innovative design of the Nano-Theta-H allows it to be combined with other multi-axis nanopositioning stages for the ultimate flexibility in sample alignment - see the Nano-

Align6 Series. Internal position sensors utilizing the proprietary **pico**™ technology provide absolute, repeatable position measurement with nanoradian resolution under closed loop control.

פז"מ-טק (1991) בע"מ

מייקל סטורץ | 02.583.2511

PaZaM-tech@pobox.com

www.PaZaM-tech.co.il

Technical Specifications

Range of motion 5.0 mradians
 Resolution 10 nradians
 Resonant Frequency (unloaded) 300Hz \pm 20%
 Recommended max. load (horizontal)* 0.5 kg
 Recommended max. load (vertical)* 0.2 kg
 Body Material Al, Invar or Titanium
 Controller Nano-Drive™

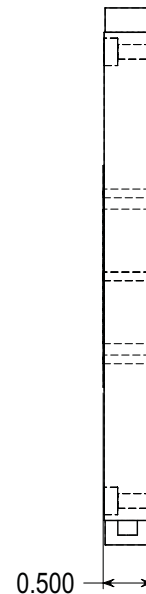
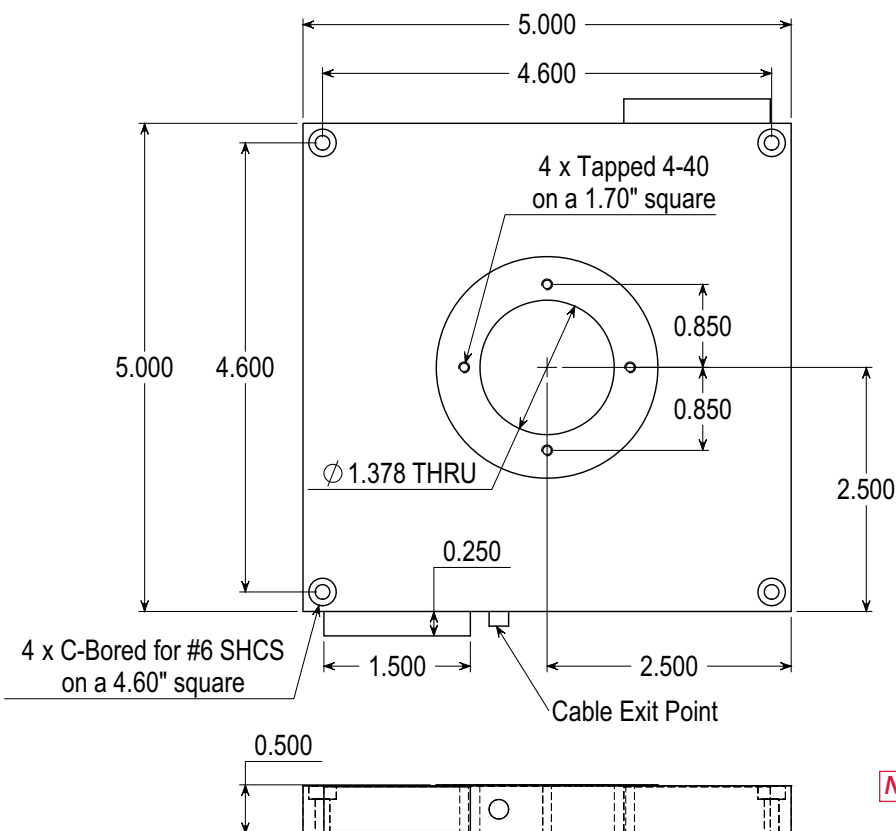
* Larger load requirements should be discussed with our engineering staff.

פז"מ-טק (1991) בע"מ

מייקל סטורץ | 02.583.2511

PaZaM-tech@pobox.com

www.PaZaM-tech.co.il



Note: All Dimensions in Inches

02.583.2511 פז"מ-טק (1991) בע"מ
 <Michael.Storch@pazam-tech.co.il>

MCL

phone: 608-298-0855

fax: 608-298-9525