

Nano-F450

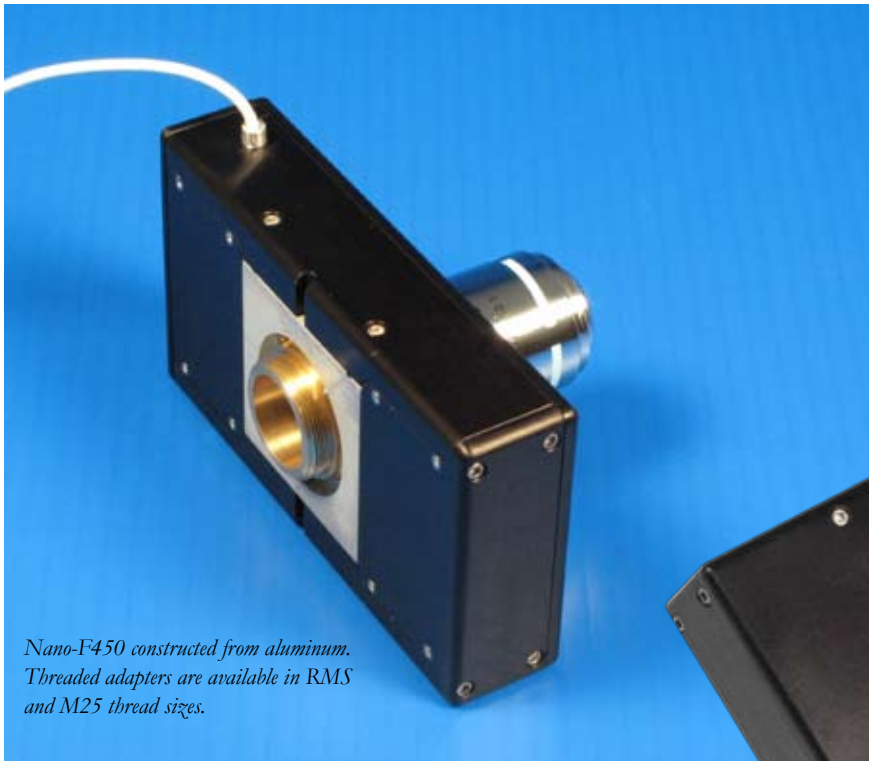
Features

- ▶ 450 μm travel - long range objective lens focusing element
- ▶ Interchangeable, quick mount adapters
- ▶ Compatible with all microscopes
- ▶ Closed loop control
- ▶ **pico**™ sensor technology

Typical Applications

- ▶ Microscope focusing element
- ▶ Confocal imaging
- ▶ Auto focus
- ▶ STORM and PALM imaging

02.583.2511 פז"מ-טק (1991) בע"מ
<Michael.Storch@pazam-tech.co.il>



Nano-F450 constructed from aluminum.
Threaded adapters are available in RMS
and M25 thread sizes.

Compatible Software Packages



USB and analog
motion control

Examples, tutorial,
and Nano-Route™ 3D
supplied with Nano-
Drive™ USB interfaces.



THE OPEN SOURCE
MICROSCOPY SOFTWARE

USB motion control



Quick mount threaded adapters allow the
Nano-F450 to be used with both RMS and
M25 lens threads.

Product Description

The Nano-F450 is the longest travel range piezo focusing element available for research microscopy. Ideally suited to high speed, long range confocal imaging, the Nano-F450 utilizes proprietary **pico**™ position sensor technology for absolute, repeatable position measurement and precise closed loop control. The Nano-F450 can be used as stand-alone system or in conjunction with other Mad City Labs nanopositioning stages. Quick mount adapters thread directly into the microscope turret, allowing the lens nanopositioner to be

clamped onto the adapter without having to rotate the entire assembly with the attached cable. Compatible with RMS and M25 quick mount threaded adapters, the Nano-F450 can be used on many different microscopes. The desired threads on the quick mount adapter are specified for each system when it is ordered. Extra adapters can be ordered separately.

02.583.2511 פז"מ-טק (1991) בע"מ
<Michael.Storch@pazam-tech.co.il>

MCL

phone: 608-298-0855

fax: 608-298-9525

Technical Specifications

Range of motion	450 μ m
Resolution	0.9 nm
Resonant Frequency (no load)	240 Hz \pm 20%
Resonant Frequency (with 150 g lens)	160 Hz \pm 20%
Resonant Frequency (with 250 g lens)	130 Hz \pm 20%
Stiffness	1.0 N/ μ m
Recommended max. load*	0.5 kg
Body Material	Al and Brass
Threaded Adapters	M25 and RMS
Controller	Nano-Drive™

* Larger load requirements should be discussed with our engineering staff.

Note: See page 11 for custom high speed lens positioning systems.

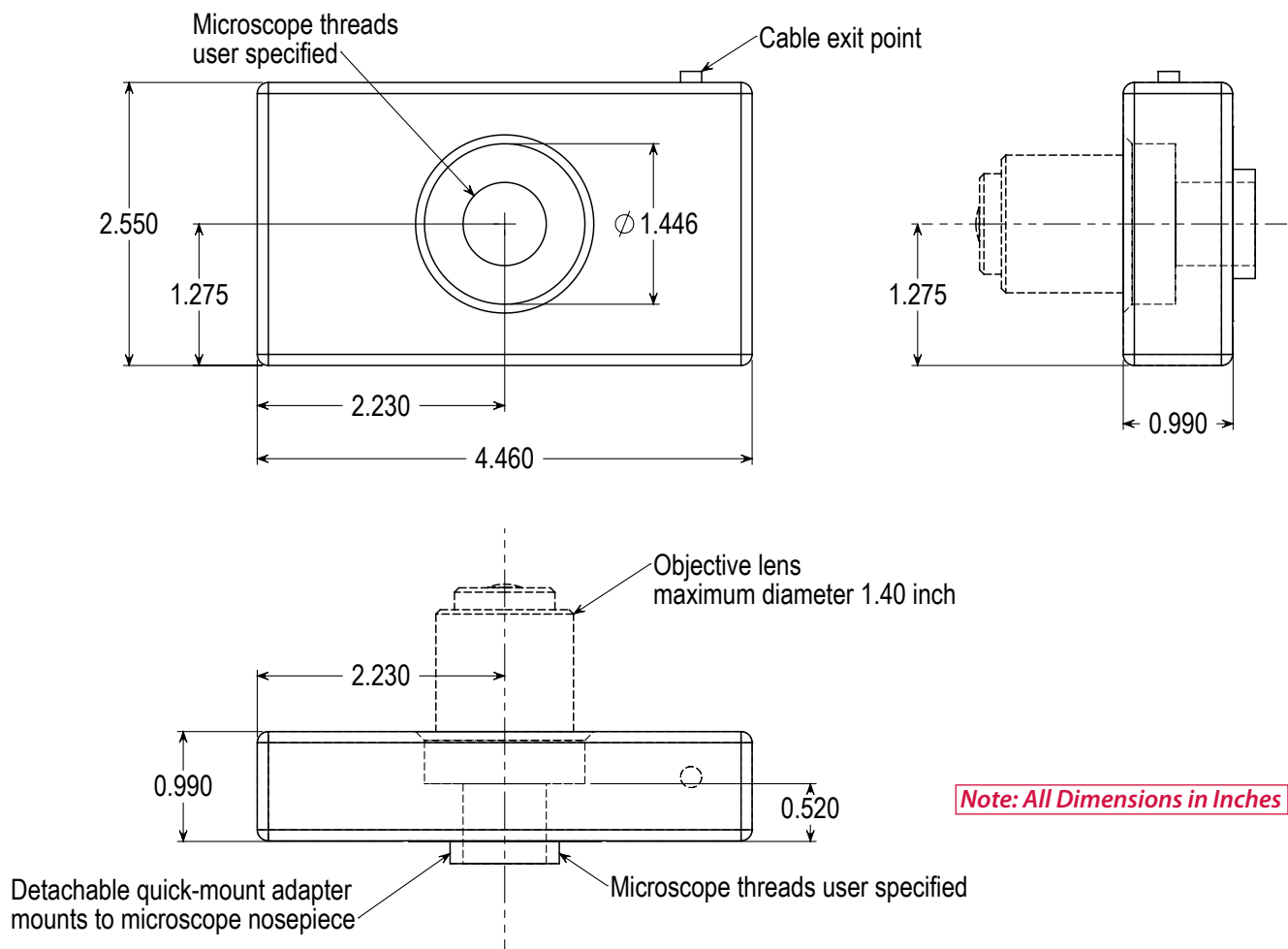
פז"מ-טק (1991) בע"מ

מייקל סטורץ | 02.583.2511

PaZaM-tech@pobox.com

www.PaZaM-tech.co.il

Nano-F450 with RMS or M25 adapters



Note: All Dimensions in Inches

פז"מ-טק (1991) בע"מ 02.583.2511
 <Michael.Storch@pazam-tech.co.il>

MCL

phone: 608-298-0855

fax: 608-298-9525