

Nano-CZ500

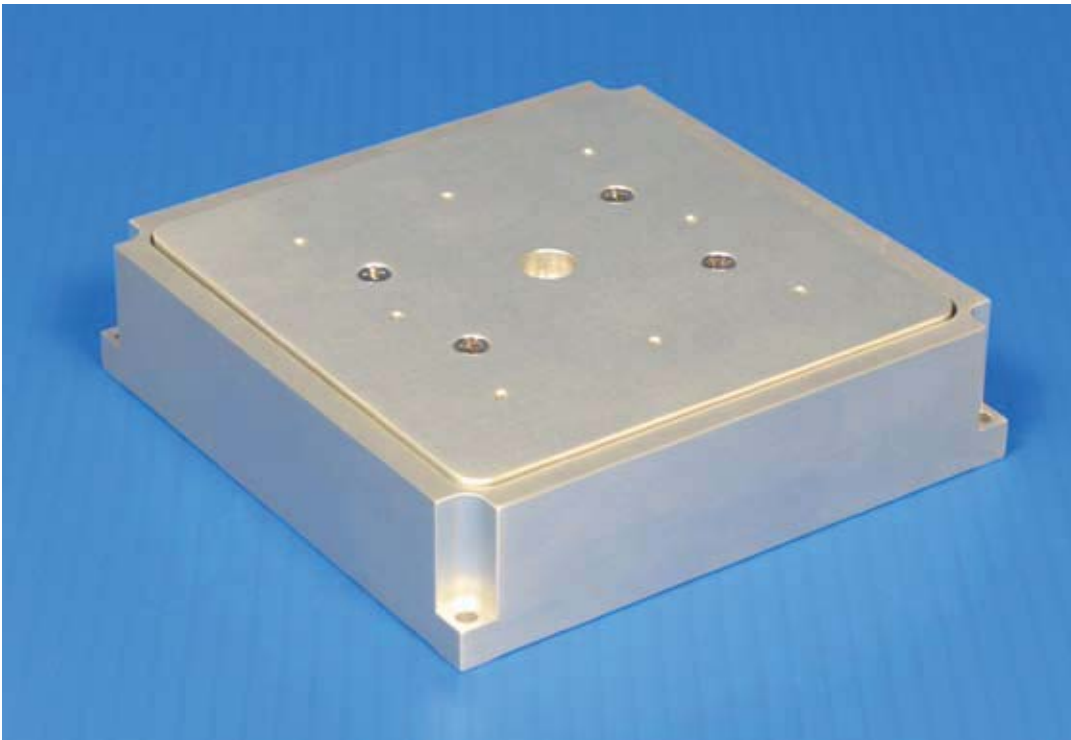
Features

- ▶ Single axis (Z) motion
- ▶ Long range motion - 500 μ m
- ▶ Compact size
- ▶ Closed loop control
- ▶ **pico**™ sensor technology

Typical Applications

- ▶ Precision optical alignment and mirror positioning
- ▶ High resolution probe positioning
- ▶ Metrology

02.583.2511 פז"מ-טק (1991) בע"מ
<Michael.Storch@pazam-tech.co.il>



Nano-CZ500 constructed from aluminum.

LabVIEW Compatible USB Interfaces



Examples, tutorial, and
Nano-Route™ 3D supplied
with Nano-Drive™ USB
interfaces.

Product Description

The Nano-CZ500 is a compact, long range, single axis (Z-axis) precision nanopositioning system. Internal position sensors utilizing proprietary **pico**™ technology provide absolute, repeatable position measurement with nanometer resolution under closed loop control. An optional center aperture up to 0.5 inches in diameter

provides an optical pathway through the stage. The Nano-CZ500 can be operated in any orientation and is well suited for static alignment and moderate speed, long range scanning applications.

02.583.2511 פז"מ-טק (1991) בע"מ
<Michael.Storch@pazam-tech.co.il>

MCL

phone: 608-298-0855

fax: 608-298-9525

Technical Specifications

| | |
|---|----------------------|
| Range of motion (Z) | 500 μm |
| Resolution | 1.0 nm |
| Resonant Frequency | 200 Hz $\pm 20\%$ |
| Stiffness | 1.0 N/ μm |
| Recommended max. load (horizontal)* | 0.5 kg |
| Recommended max. load (vertical)* | 0.1 kg |
| Body Material | Aluminum |
| Controller | Nano-Drive™ |

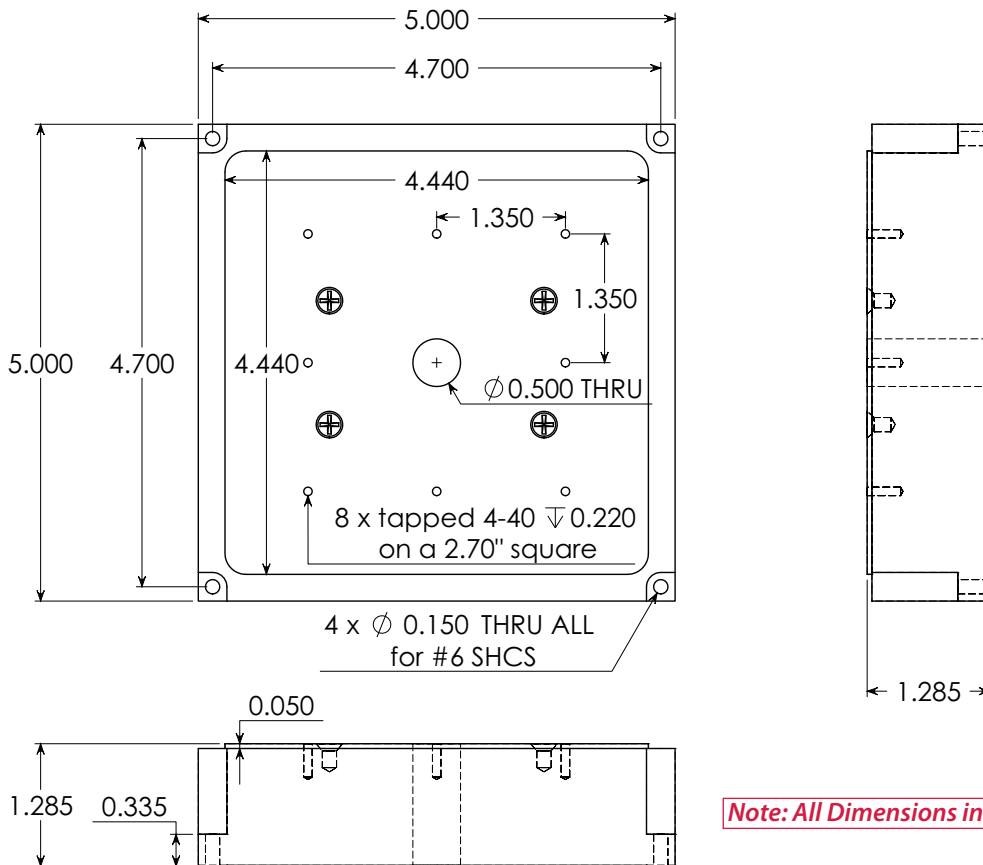
* Larger load requirements should be discussed with our engineering staff.

פז"מ-טק (1991) בע"מ

מייקל סטורץ | 02.583.2511

PaZaM-tech@pobox.com

www.PaZaM-tech.co.il



Note: All Dimensions in Inches

פז"מ-טק (1991) בע"מ | 02.583.2511
Michael.Storch@pazam-tech.co.il

MCL

phone: 608-298-0855

fax: 608-298-9525