

# Nano-3D200

## Features

- ▶ Compact size
- ▶ Low cost
- ▶ 200  $\mu\text{m}$  three axis motion (XYZ)
- ▶ Closed loop control
- ▶ True flexure guided motion

## Typical Applications

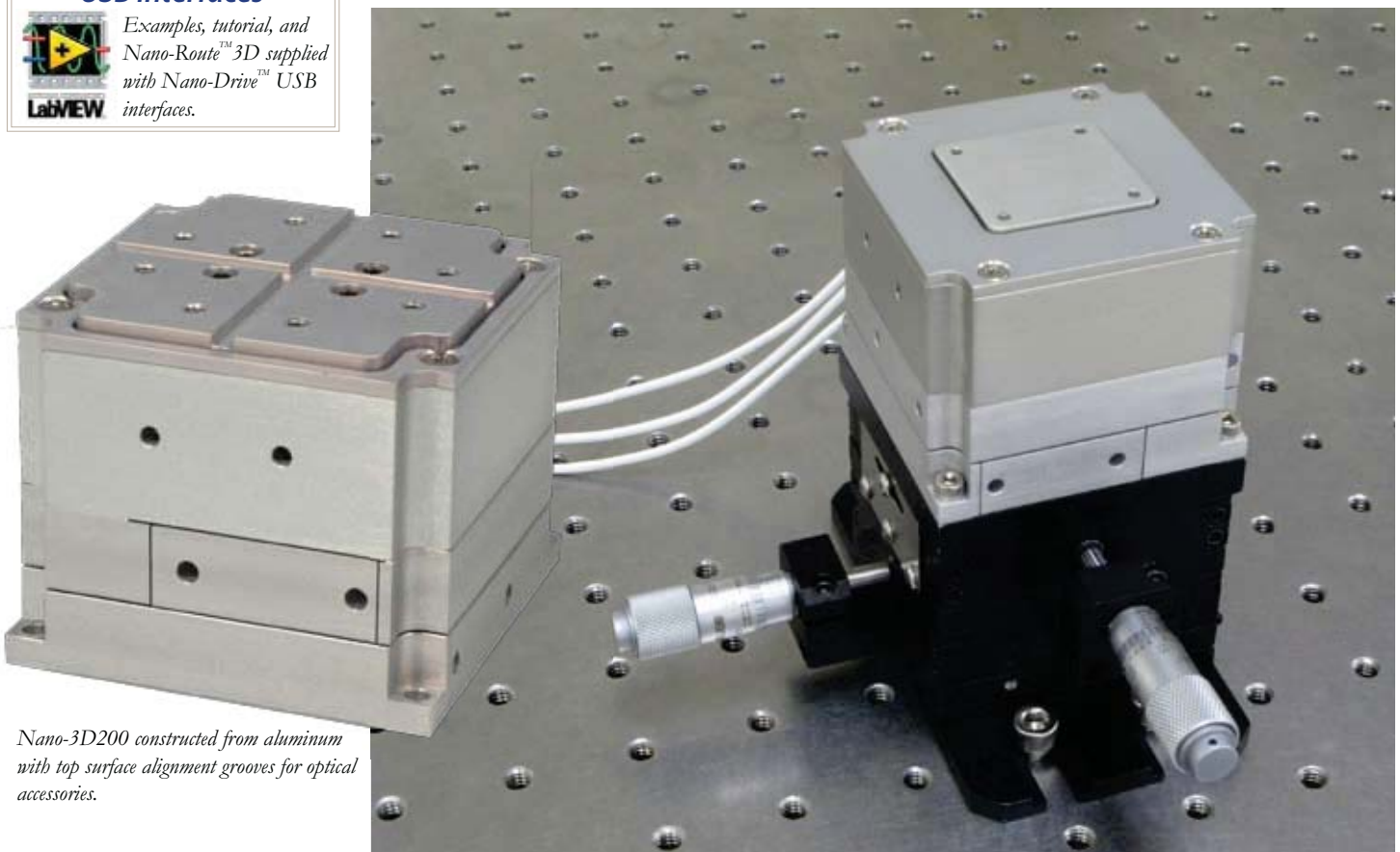
- ▶ Optical fiber alignment
- ▶ Hybrid positioning systems

02.583.2511 פד"מ-טק (1991) בע"מ  
<Michael.Storch@pazam-tech.co.il>

## LabVIEW Compatible USB Interfaces



Examples, tutorial, and  
Nano-Route™ 3D supplied  
with Nano-Drive™ USB  
interfaces.



Nano-3D200 constructed from aluminum  
with top surface alignment grooves for optical  
accessories.

Nano-3D200 combined with a coarse XY positioner is ideal for optical alignment applications.

## Product Description

The Nano-3D200 is a compact three axis (XYZ) nano-positioning system constructed from aluminum. The compact design of the Nano-3D200 allows it to be easily integrated with coarse positioning stages and standard optical fixturing accessories. Internal position sensors combine with the closed loop controller to provide absolute, repeatable position measurement and long

term stability. Independent flexure guided motion for each axis provides mechanical isolation and ensures that alignment adjustments can be done with minimum cross-talk between axes. A wireless 3-axis joystick controller is available as a convenience for fast, precise manual alignment without computer programming.

02.583.2511 פד"מ-טק (1991) בע"מ  
<Michael.Storch@pazam-tech.co.il>

**MCL**

phone: 608-298-0855

fax: 608-298-9525

# Technical Specifications

Ranges of motion (XYZ) ..... 200  $\mu$ m  
 Resolution ..... 1 nm  
 Resonant Frequency (X) ..... 150 Hz  $\pm$ 20%  
 Resonant Frequency (Y) ..... 150 Hz  $\pm$ 20%  
 Resonant Frequency (Z) ..... 500 Hz  $\pm$ 20%  
 Stiffness ..... 1.0 N/ $\mu$ m  
 Recommended max. load (horizontal)\* ..... 0.5 kg  
 Recommended max. load (vertical)\* ..... 0.2 kg  
 Body Material ..... Aluminum  
 Controller ..... Nano-Drive3D™

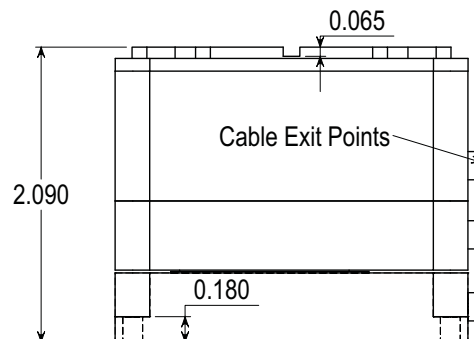
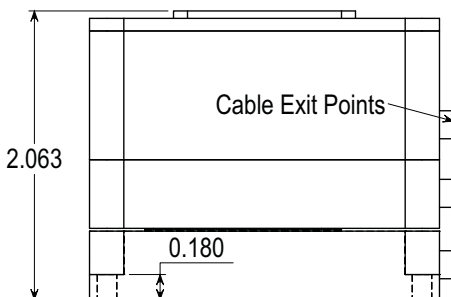
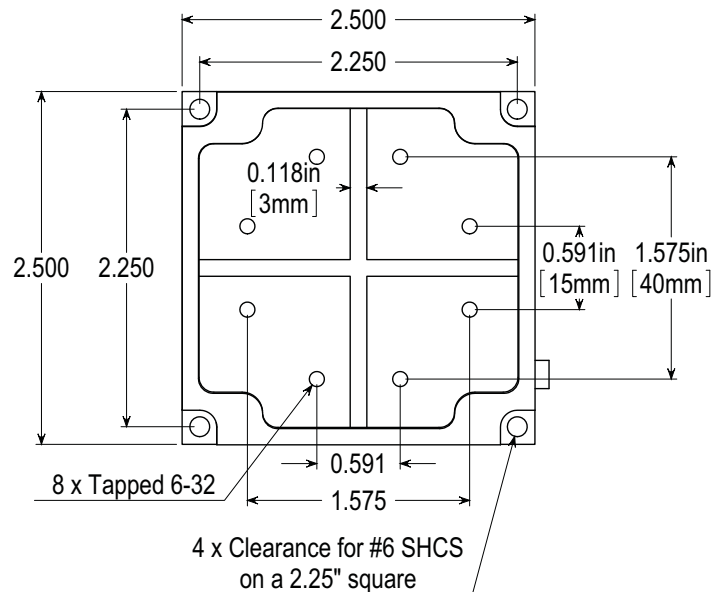
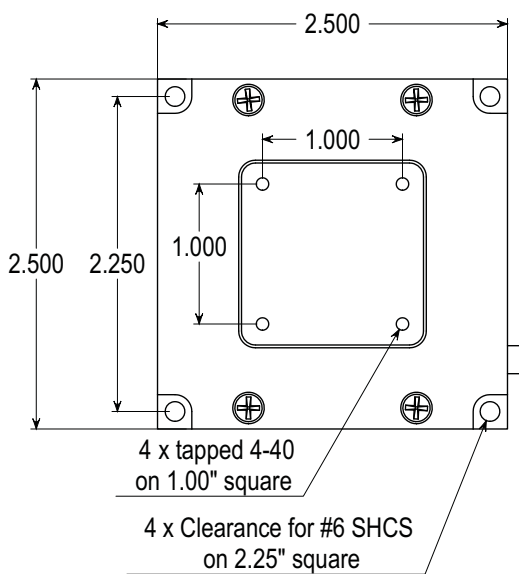
\* Larger load requirements should be discussed with our engineering staff.

פז"מ-טק (1991) בע"מ

מייקל סטורץ | 02.583.2511

PaZaM-tech@pobox.com

www.PaZaM-tech.co.il



Note: All Dimensions in Inches

02.583.2511 פז"מ-טק (1991) בע"מ  
 <Michael.Storch@pazam-tech.co.il>



phone: 608-298-0855

fax: 608-298-9525